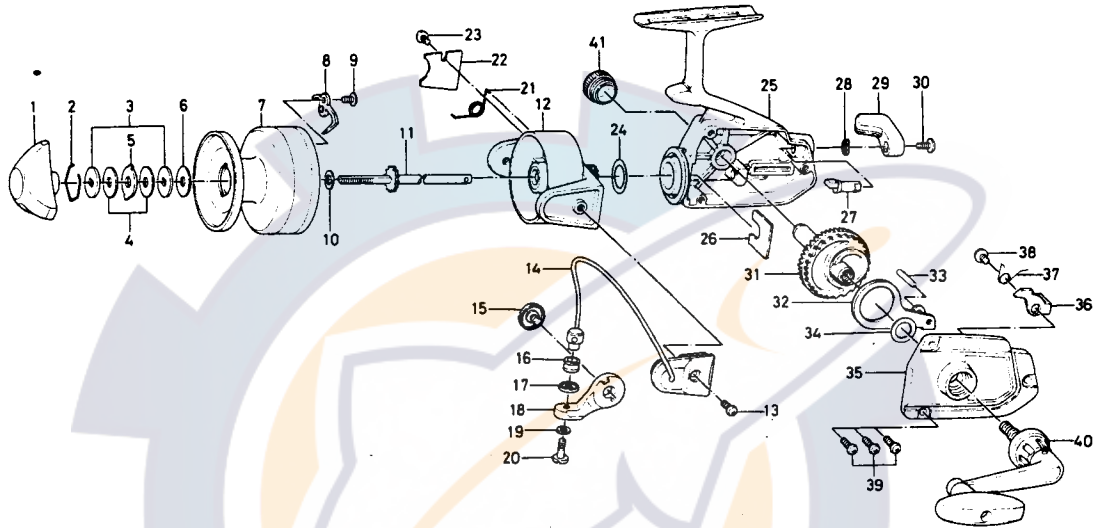


SPINNING REEL **A-160RL**



Key No.	Parts No.	Parts Name
1	6-740-2103	Drag knob
2	6-170-4001	Drag washer retainer
3	6-373-2502	Drag D washer
4	6-374-2901	Disc washer
5	6-375-5301	Drag A washer
6	6-370-6901	Drag washer A
7	6-734-0003	Spool
8	6-030-4511	Spool click claw
9	6-351-7701	Spool click claw screw
10	6-371-8331	Spool washer
11	6-710-2421	Main shaft
12	6-736-8202	Rotor
13	6-351-6601	Bail holder screw
14	6-725-8401	Bail
15	6-372-3411	Arm lever screw
16	6-250-4221	Line roller
17	6-501-1601	Roller collar
18	6-231-3401	Arm lever
19	6-375-1001	Bail washer
20	6-353-1811	Bail screw
21	6-141-7821	Bail spring

Sold as one unit
Spool assembly
6-733-9903

Key No.	Parts No.	Parts Name
22	6-632-6501	Bail spring cover
23	6-351-1801	Bail spring cover screw
24	6-370-9800	Rotor washer
25	6-701-6801	Body
26	6-632-6601	Pinion retainer
27	6-460-7041	Anti-reverse cam
28	6-150-1751	Anti-reverse lever washer
29	6-541-3311	Anti-reverse lever
30	6-351-8301	Anti-reverse lever screw
31	6-414-2801	Drive gear
32	6-480-7501	Oscillating slider
33	6-121-1211	Oscillating slider pin
34	6-371-2800	Drive gear washer
35	6-707-1201	Body cover
36	6-110-7201	Anti-reverse claw
37	6-142-3961	Anti-reverse claw spring
38	6-351-7701	Anti-reverse claw screw
39	6-351-5901	Body cover screw
40	6-747-1101	Handle
41	6-363-7401	Handle screw cap